

# LED Chip--ORT 010IRA

## 1. Scope:

- This specification applies to Gap/Gap yellow-green LED chips.

## 2. Structure:

- Mesa Type: rough surface.
- Electrodes:  
P (Anode) Side: gold alloy.  
N (Cathode) Side: gold alloy.

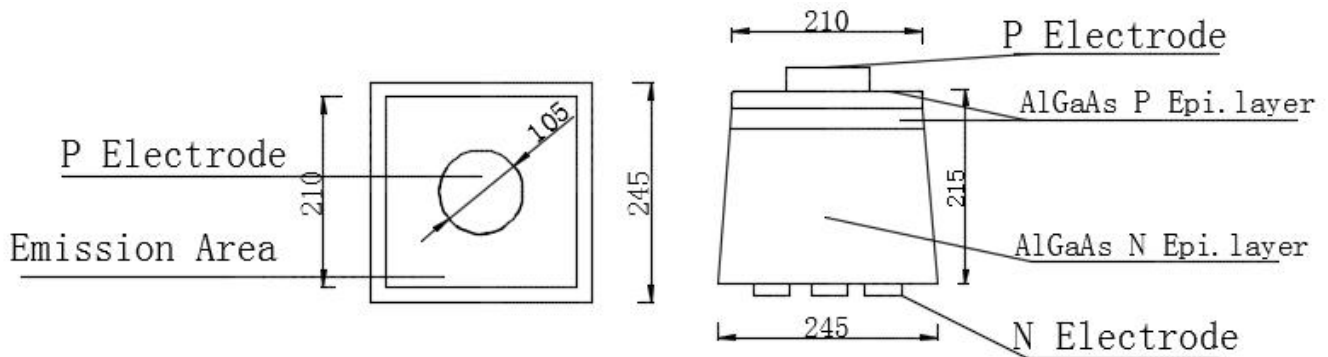
## 3. Size:

- Top Size:  $210\mu\text{m}\times 210\mu\text{m} \pm 30\mu\text{m}$ ; Bottom Size:  $245\mu\text{m}\times 245\mu\text{m} \pm 30\mu\text{m}$
- Chip Height:  $215\mu\text{m} \pm 30\mu\text{m}$
- Pad Size:  $105\mu\text{m} \pm 15\mu\text{m}$
- Pattern Drawing: fig.1.

## 4. Electro-Optical Characteristics:

( $T_a=+25^\circ\text{C}$ )

| Parameter             | Symbol   | Unit          | Min | Typ | Max | Test Condition    |
|-----------------------|----------|---------------|-----|-----|-----|-------------------|
| Forward voltage       | $V_F$    | V             |     | 1.2 | 1.4 | $I_F=20\text{mA}$ |
| Reverse voltage       | $I_R$    | $\mu\text{A}$ |     |     | 10  | $V_R=10\text{V}$  |
| Dominant wavelength   | $W_{LD}$ | nm            |     | 937 |     | $I_F=20\text{mA}$ |
| Radiated output Power | $P_O$    | mw            | 1.3 |     |     | $I_F=20\text{mA}$ |



Unit:  $\mu\text{m}$

fig.1

## 5. Packing and Labeling:

- Packing: Sheet Type
- Each pellet is mounted on an adhesive sheet with wire-bonded electrode side up.
- Labeling: Each lot has a label sheet、writing Type、 Lot No、 Pcs、 Avg  $P_O$ 、  $V_F$  、  $W_{LD}$  and quantity of good chips.



## 6. Application Notes:

- All data are measured by Orient' s tester on bare chips within 98% of the nominal value.
- Measurement error for dominant wavelength and peak wavelength is  $\pm 5\text{nm}$